

DATA SHEET SWING SIMIUS 1

Text for invitation to tender | Item No: 51 2018 402

MATERIALS | SCOPE OF SUPPLY

Swing, pre-mounted

Fixation of the swing chains necessary

Tubular frame: stainless steel, V2A
with EPDM caoutchouc-
ball at the end of each
tube, 1 piece

Swing seat: EPDM caoutchouc with
steel inlay, 1 piece

Chains: stainless steel, 1,80 m,
2 pieces

Foundation plate: steel, coated

TECHNICAL INFORMATION

Dimensions:

Main dimension: 2490 x 440 mm

Height: 2450 mm

Weight: 250 kg

Capacity: acc. to normative requirements

Dimension largest piece: 2680 x 800 x 2870 mm

Heaviest piece: 240 kg

Max. fall height: 1400 mm

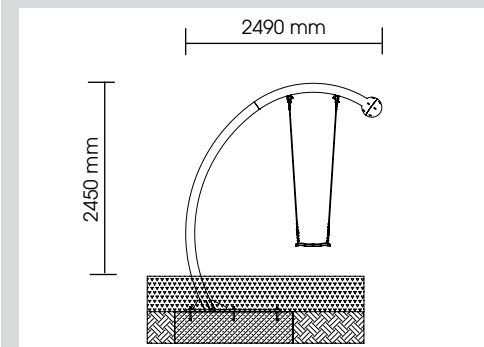
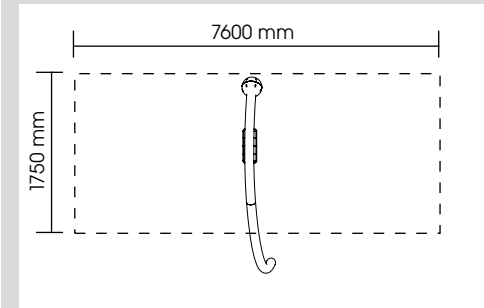
Impact protection

Impact area: 13,30 m²

Required safety slabs: 14,00 m²

Required lawn grating: 14,00 m²

Recommended
surface material: sand, wood chip, gravel, synth.
impact protection



INSTALLATION

Foundations: 1

Installation according to our detailed mounting
instructions, see www.stilum.com

